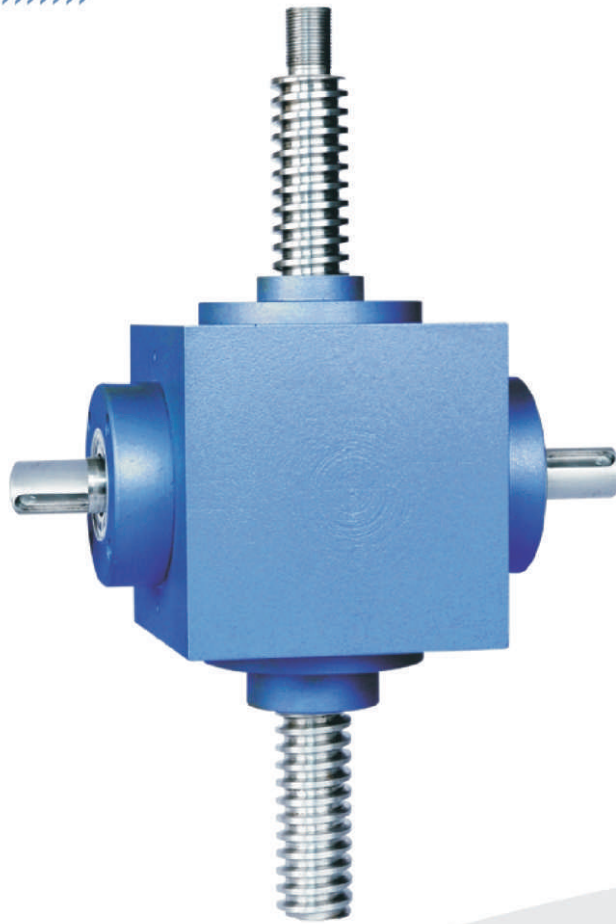


Bevel Gear Jack - Metric



Dimension Sheet

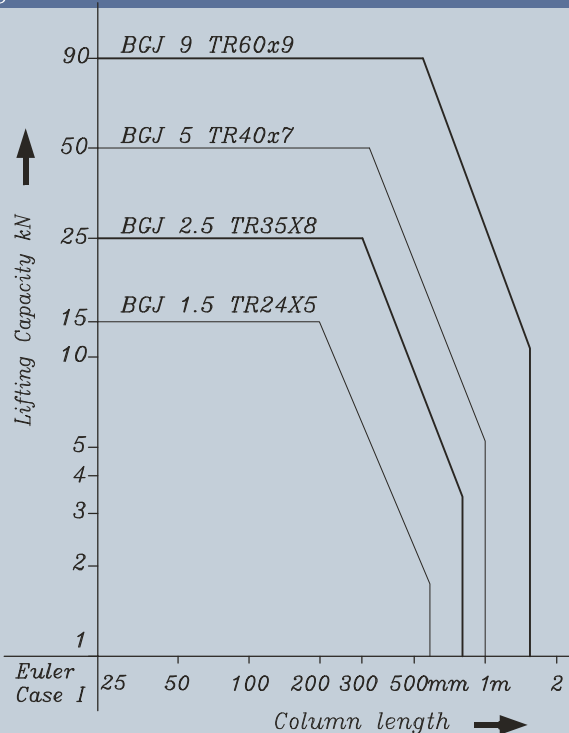


PRELIMINARY SELECTION GUIDE

Quick Lifting Bevel Gear Actuator BGJ, Metric Version

Quick Lifting Bevel Gearbox	Standard Quick Lifting Bevel Gearbox Type							
	1.5		2.5		5		9	
Nominal size, BGJ	1.5		2.5		5		9	
Max lifting capacity, kN	15		25		50		90	
Lifting screw Tr	24x5		35x8		40x7		60x9	
Normal N, Slow L	N	L	N	L	N	L	N	L
Ratio	2:1	3:1	2:1	3:1	2:1	3:1	2:1	3:1
Lift per turn at input, at ratio, mm	2.5	1.66	4	2.67	3.5	2.33	4.5	3
Total efficiency, at ratio, %	92	82	92	82	92	82	92	82
Screw efficiency, %	41		43		37		33	
Screw torque at max lifting capacity, Nm	29.5		73.2		153		394	
Input torque at max lifting capacity at ratio, Nm	16	12	39.8	29.8	83.2	62.2	214	160
Max permissible torque at input shaft, Nm	50		125		175		1300	500
Weight without lifting screw and protection tube, kg	9		14		23		85	
Weight per 100mm of screw and protection tube, kg	0.6		0.8		1.5		2.5	
Housing material	LM 25		LM 25		FG 260(GG)		FG 260(GG)	

Quick Lifting Bevel Gear Actuator BGJ 1.5 to BGJ 9, Metric

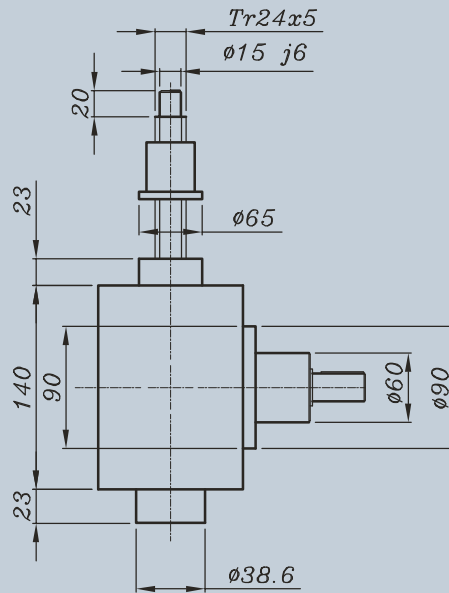
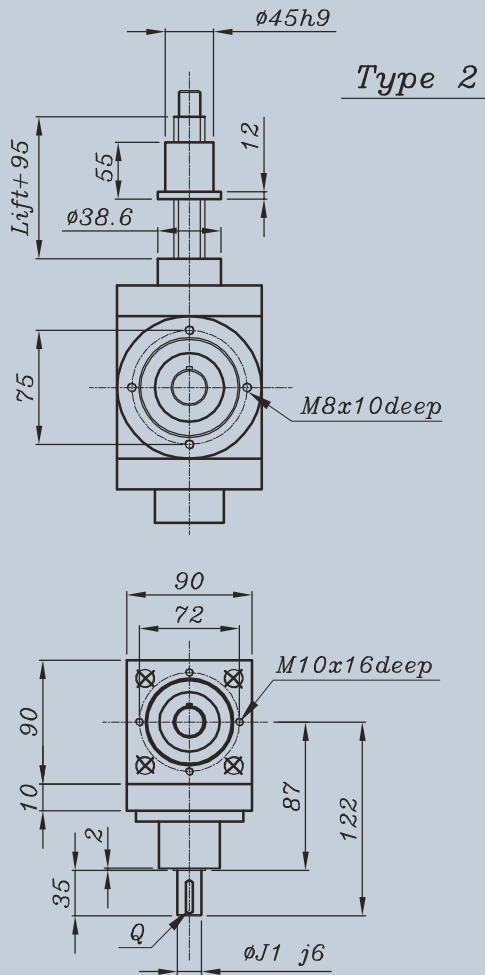


Note:-

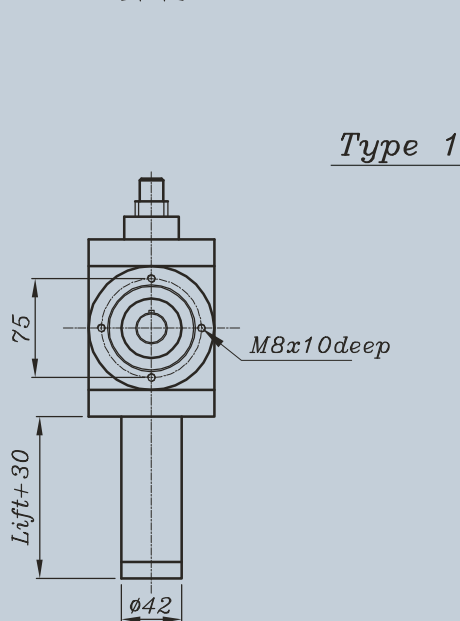
- * Column length for Euler Case II = Column length for Euler Case I x 2
- * Column length for Euler Case III = Column length for Euler Case I x 2.82

DIMENSION SHEET

Quick Lifting Bevel Gear Actuator BGJ 1.5



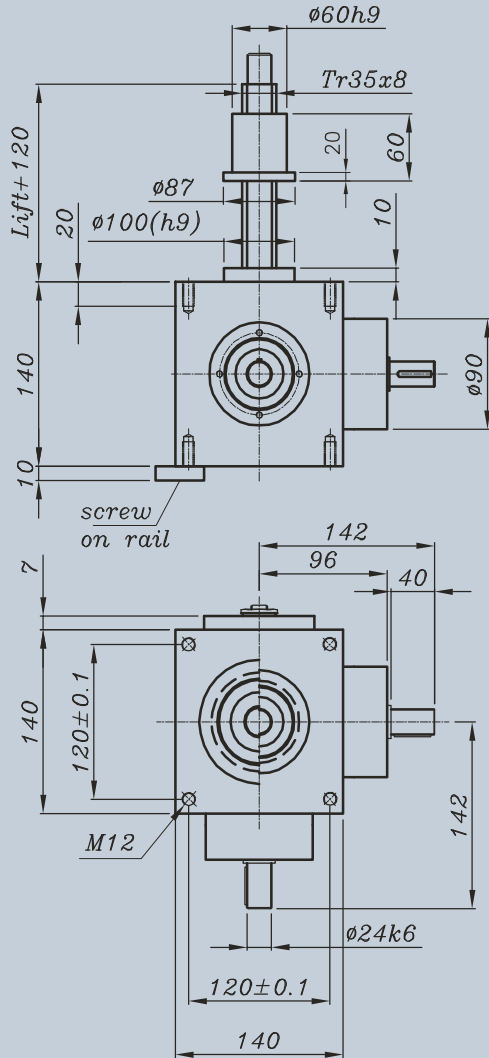
Ratio	$\phi J1 j6$	Q
2:1	18	6x6x25
3:1	12	4x4x25



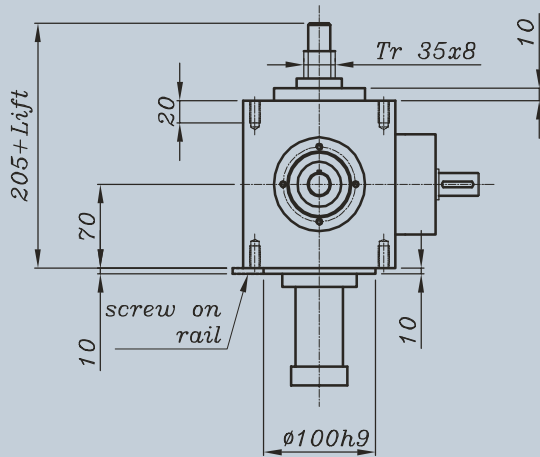
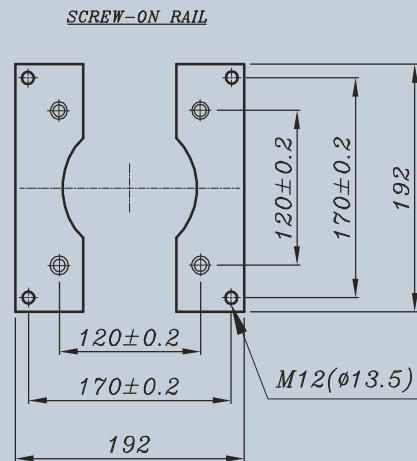


DIMENSION SHEET

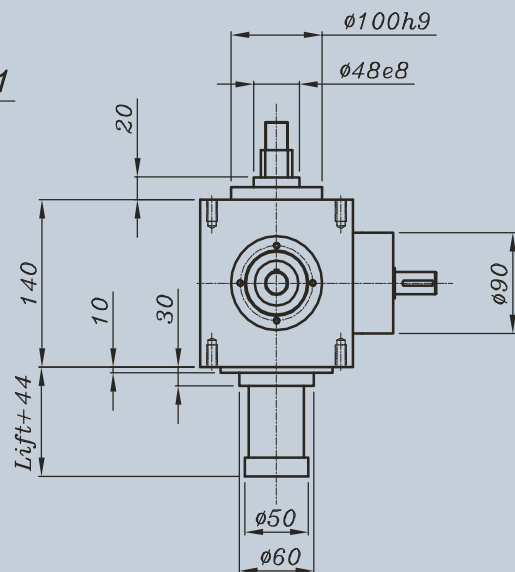
Quick Lifting Bevel Gear Actuator BGJ 2.5



Type 2

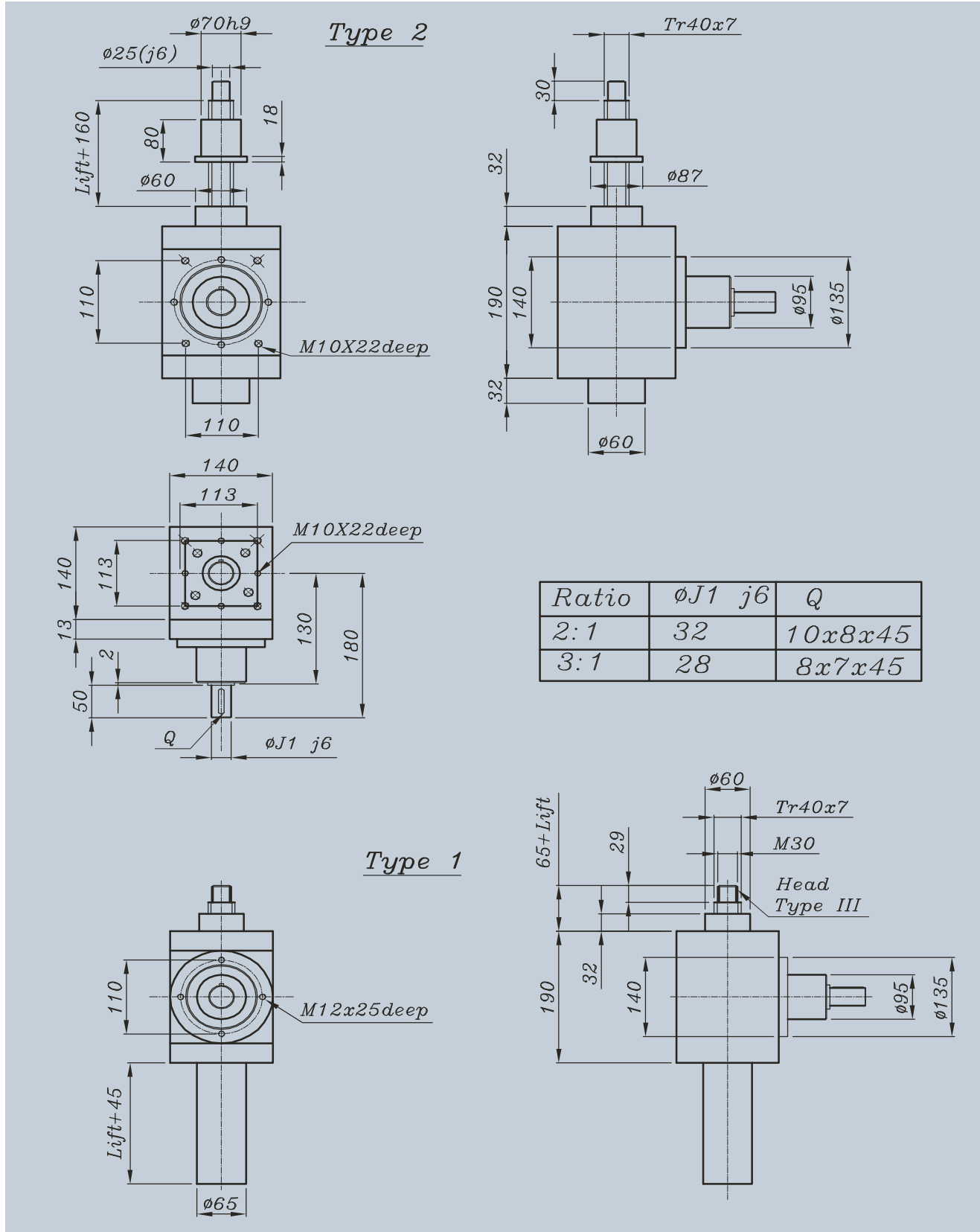


Type 1



DIMENSION SHEET

Quick Lifting Bevel Gear Actuator BGI 5

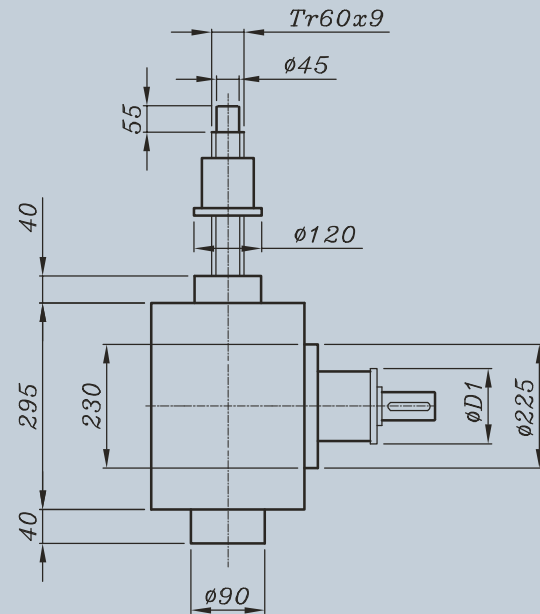
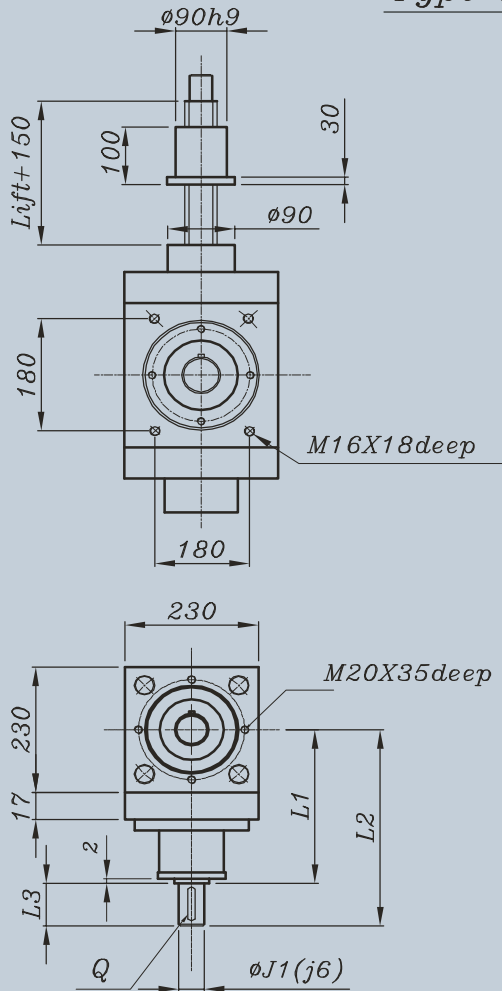




DIMENSION SHEET

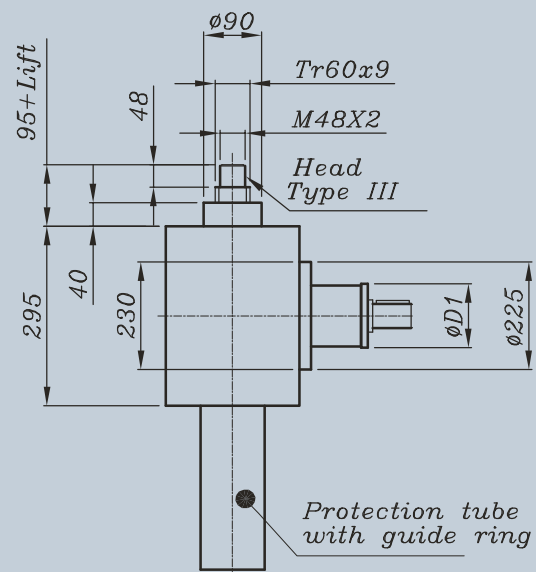
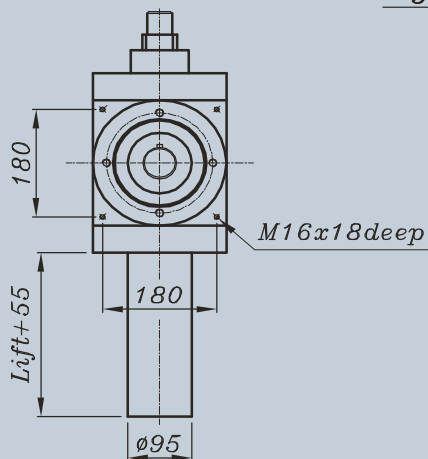
Quick Lifting Bevel Gear Actuator BGJ 9

Type 2



Ratio	$\phi J1$	$j6$	$\phi D1$	L1	L2	L3	Q
2:1	55		150	215	305	90	16X10X80
3:1	40		120	230	310	80	12X8X60

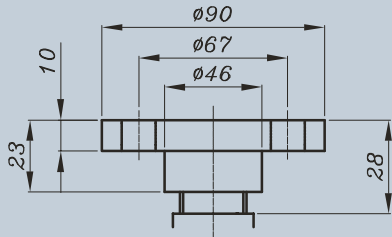
Type 1



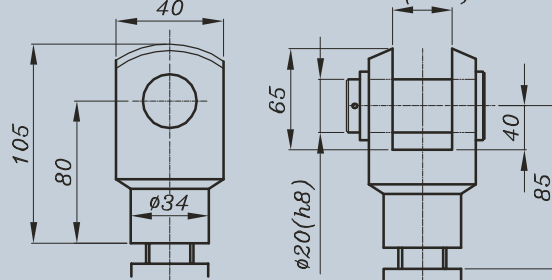
TYPES OF HEAD FOR METRIC VERSION

Front Attachment

BGJ 1.5 Head II

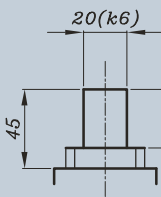


Head V

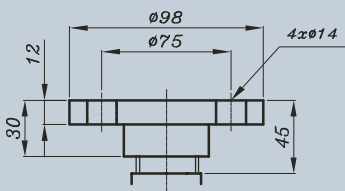


BGJ 2.5

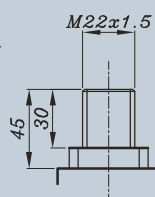
Head I



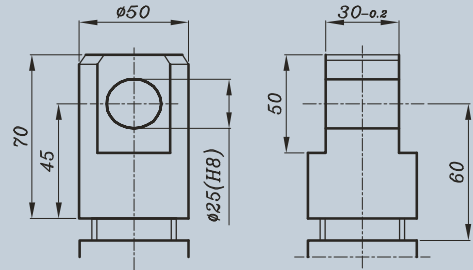
Head II



Head III

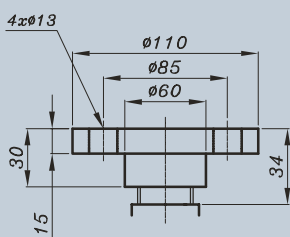


Head IV

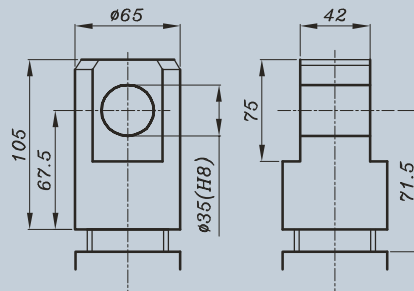


BGJ 5

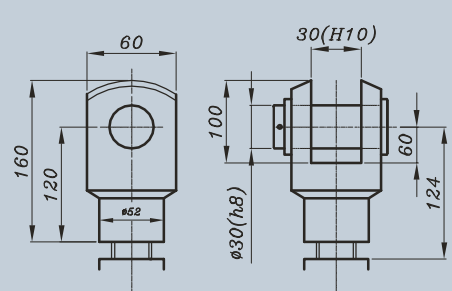
Head II



Head IV

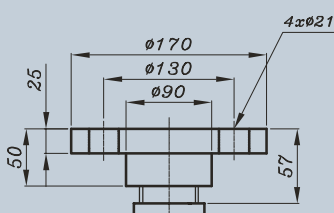


Head V

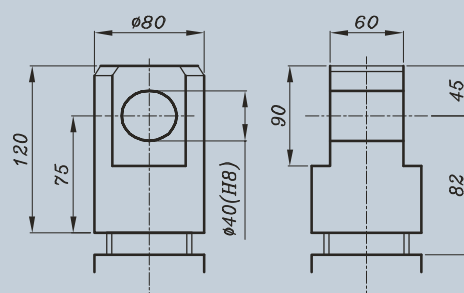


BGJ 9

Head II



Head IV





Worm Gear Screw Jacks CLASSIC



Worm Gear Screw Jacks CUBICAL



Ball Screw Jack



Electric Cylinder



Bevel Gear Screw Jacks



Bevel Gear Box, FG



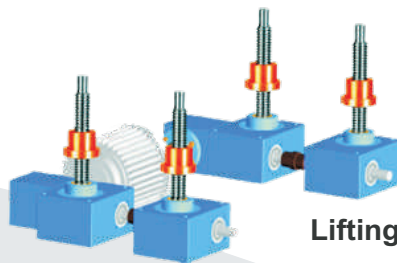
Bevel Gear Box, L Drive



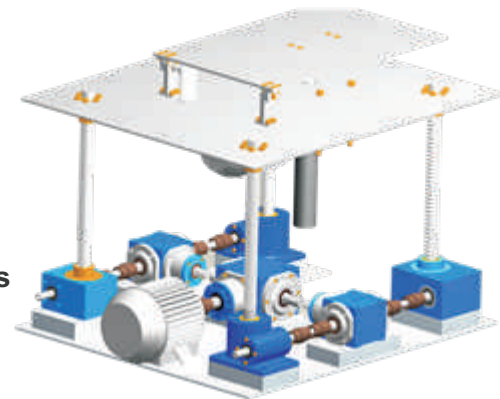
UV Joints



Worm Reducer



Lifting Systems



Gears and Gear Drives (India) Pvt. Ltd.

(ISO 9001 : 2008 Certified)

No.14, 2nd Main 2nd Cross, Sai Layout, Bhatrahalli, Virgonagar Post, Bangalore - 560049. Tel +91-8088931951

Email: info@gearsandgeardrives.com

Website : www.gearsandgeardrives.com

ISO : 9001 - 2008

